

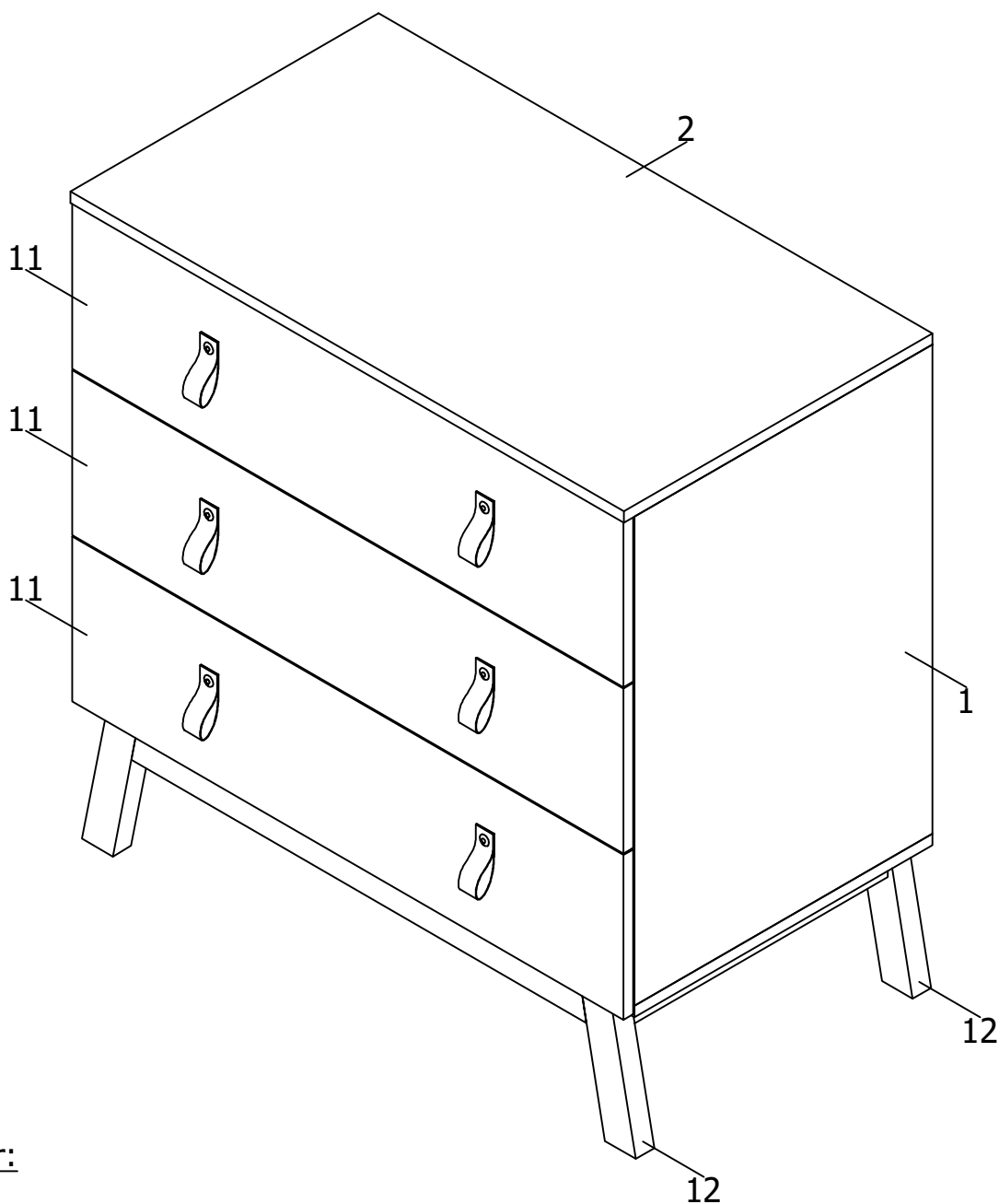
# bopita®

ASSEMBLY INSTRUCTION  
MONTAGE HANDLEIDING  
MONTAGE ANLEITUNG  
NOTICE DE MONTAGE  
MANUAL DE MONTAJE

UK  
NL  
D  
F  
ESP

MODEL  
TYPE  
COLOUR  
ART.CODE

:LINES  
:DRESSER  
:DUNE/NATURAL  
:117190.59






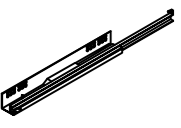
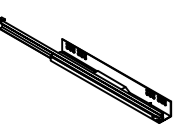








Distributor:

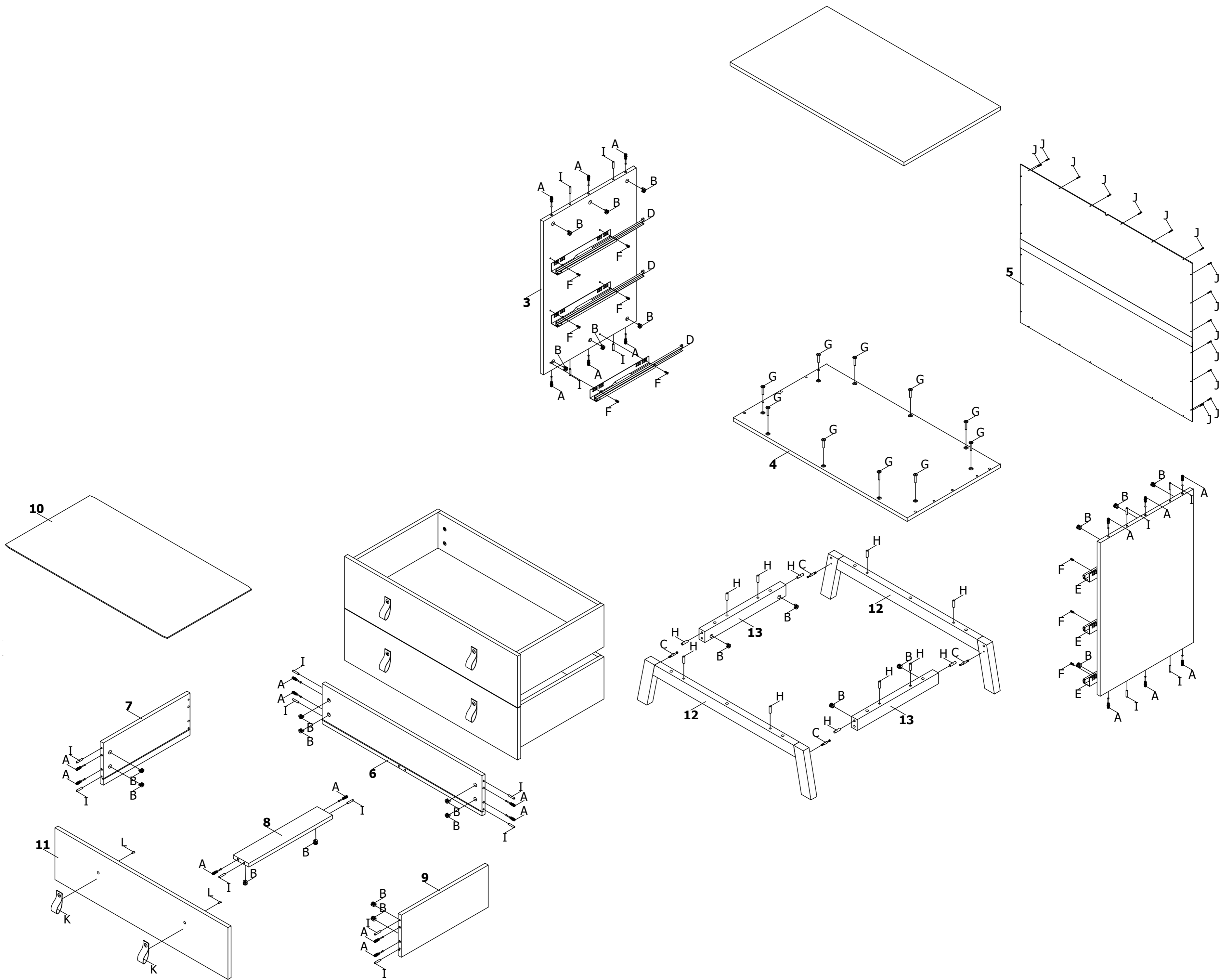
BOPITA  
Energieweg 1  
6662 NS Elst  
The Netherlands

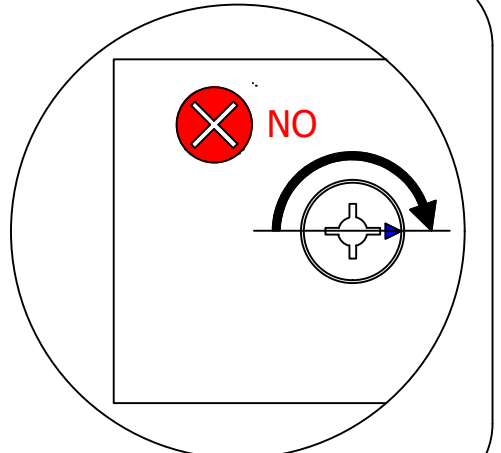
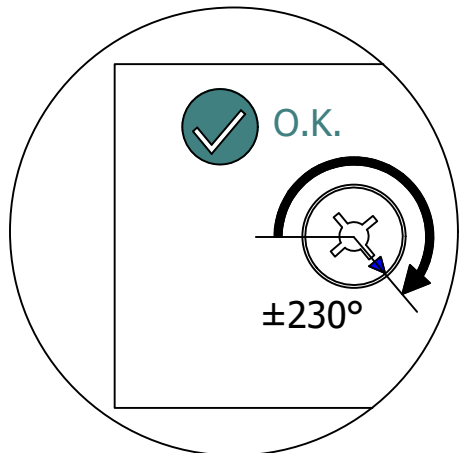
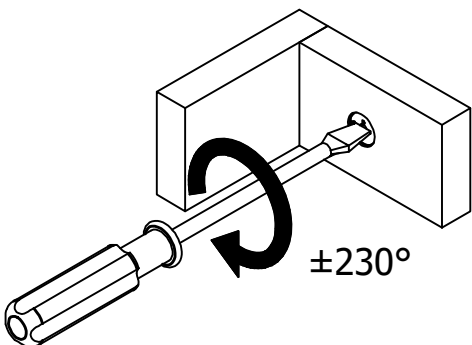
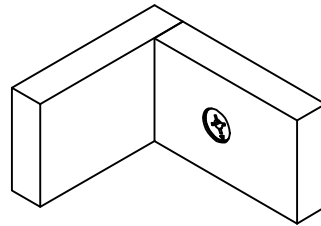
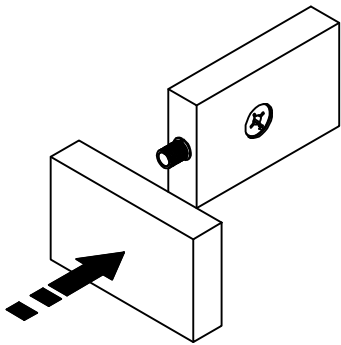
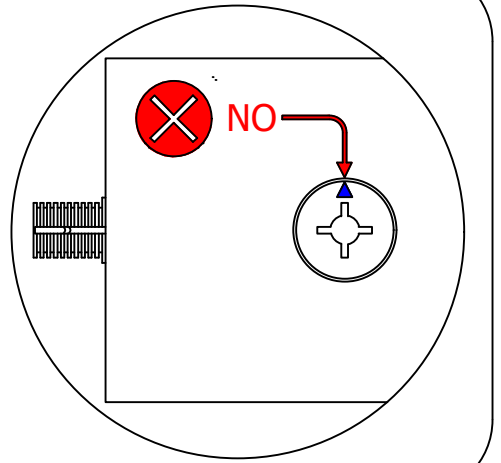
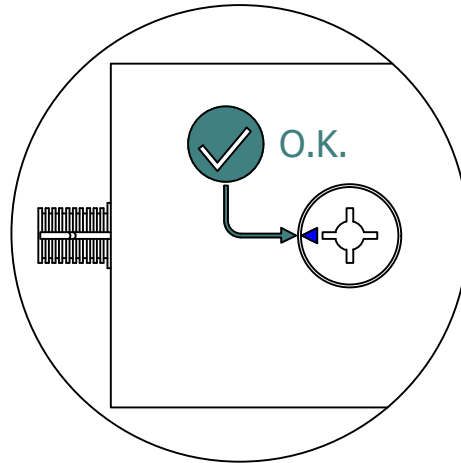
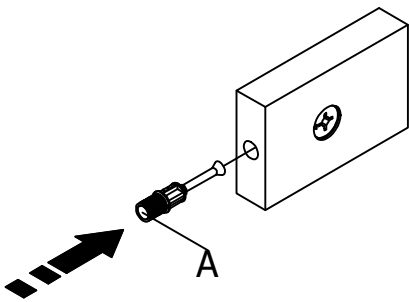
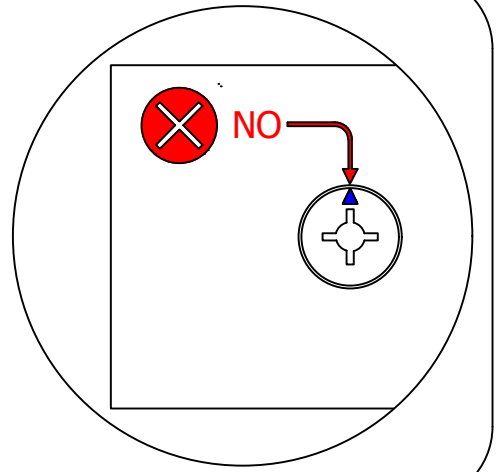
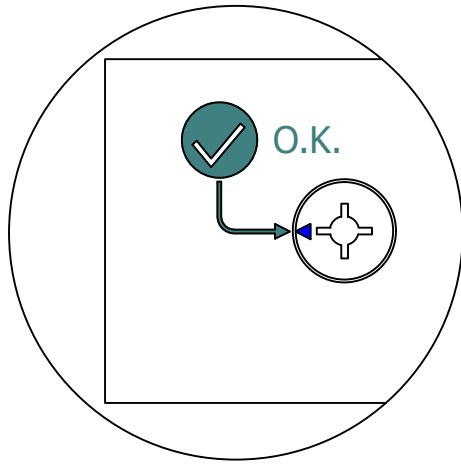
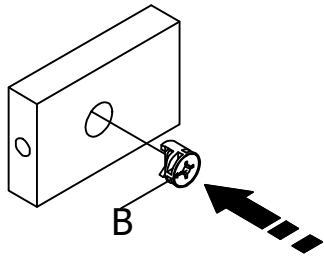
[www.bopita.com](http://www.bopita.com)



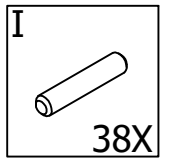
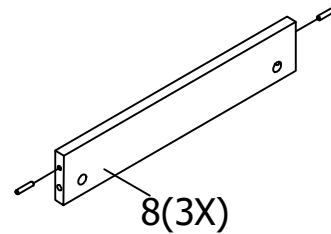
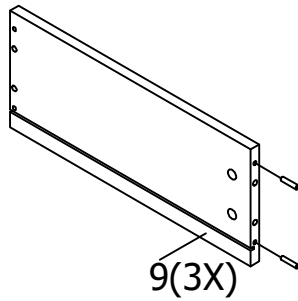
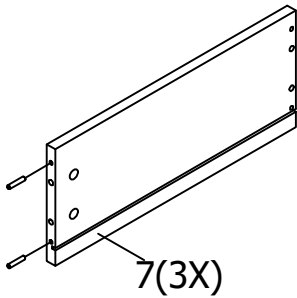
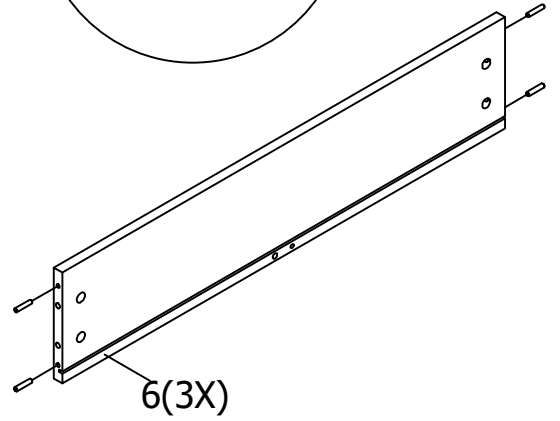
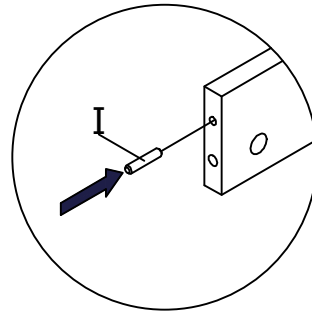
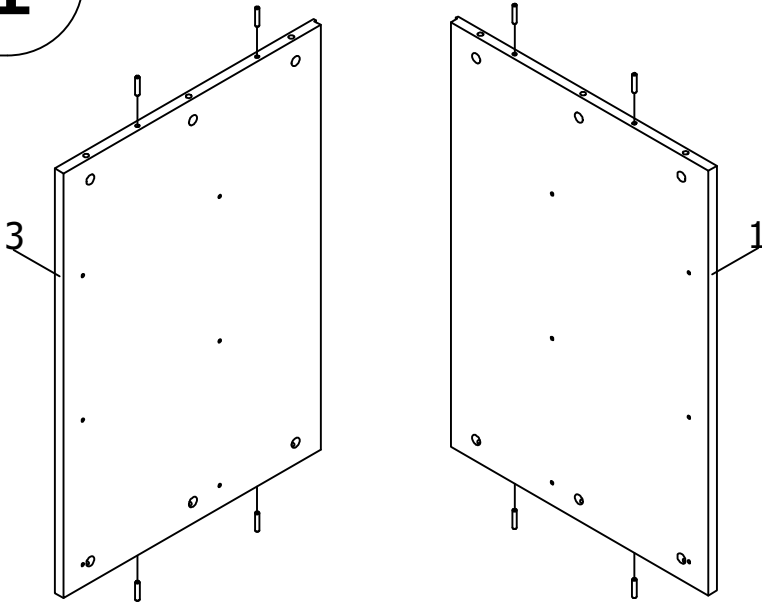
02.11.2023.

A		42X
B		46X
C		4X
D		3X
E		3X
F		6.3X13 12X
G		M6X35 10X
H		Ø8X30 12X
I		Ø6X30 38X
J		2.5X16 24X
K		6X
L		M4X10 6X
M		SW4 1X

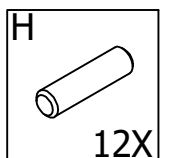
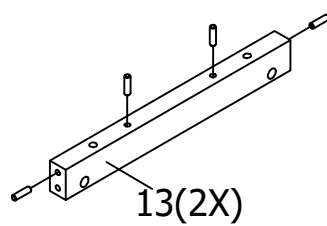
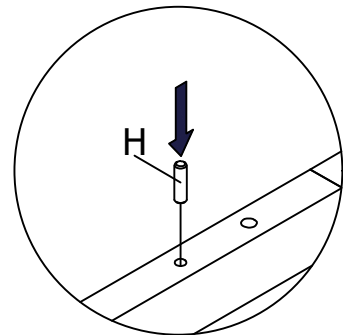
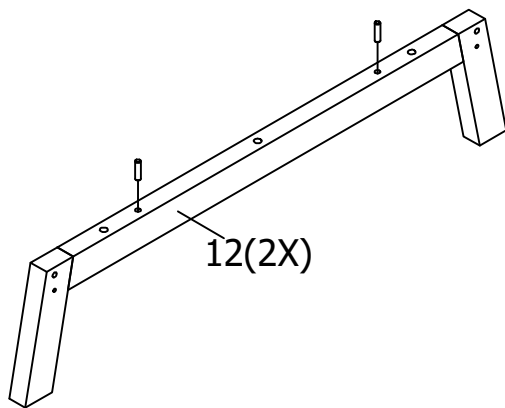




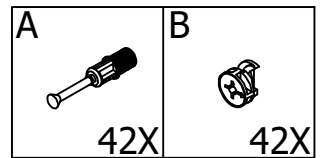
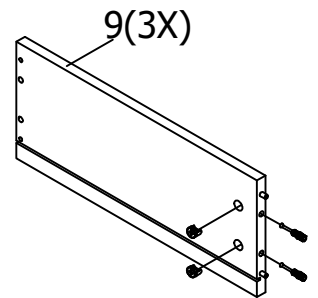
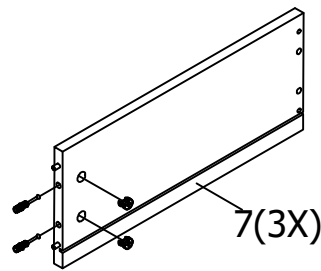
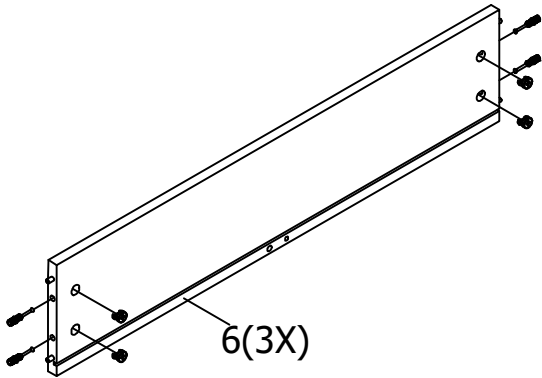
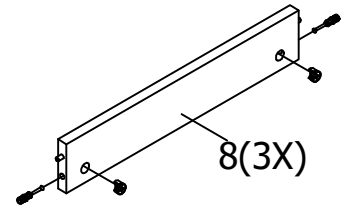
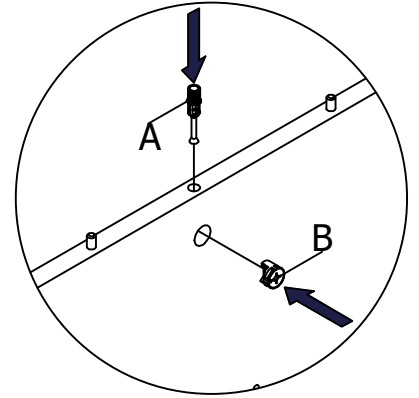
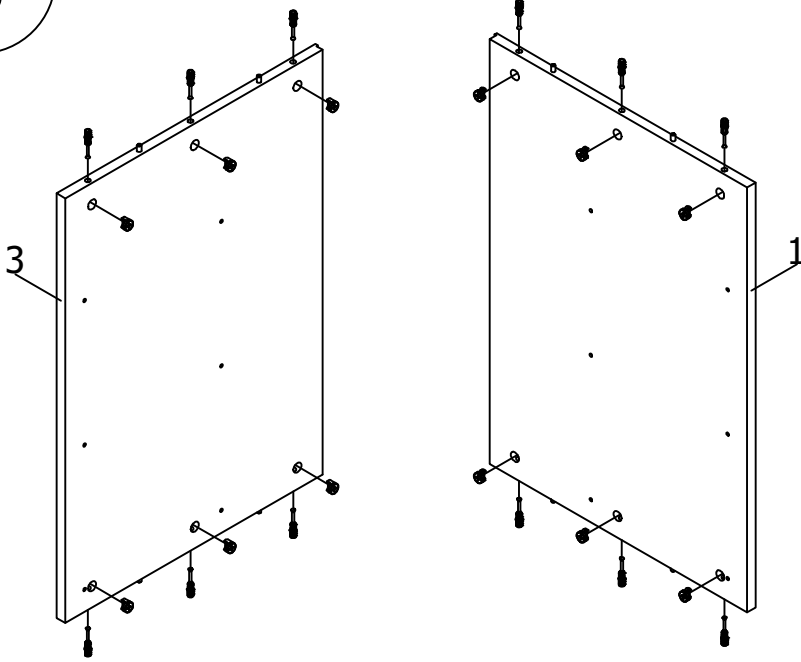
1



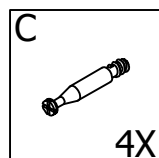
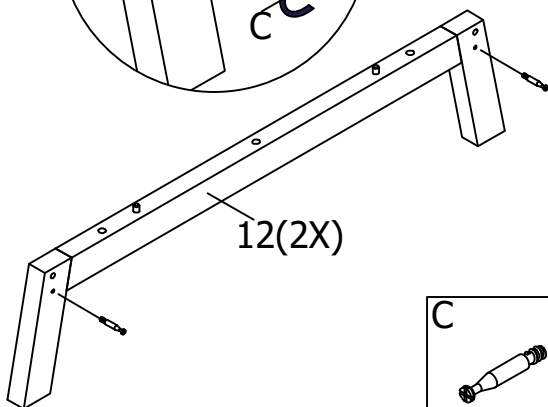
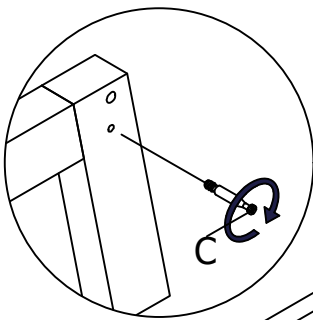
2



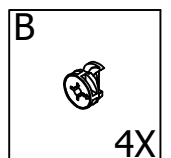
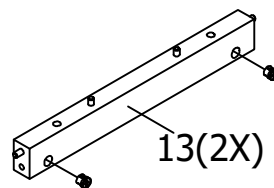
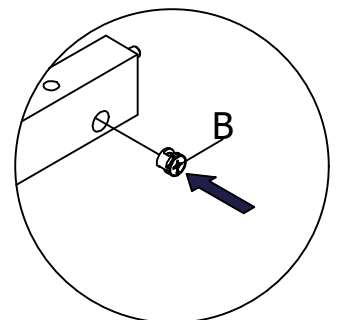
3



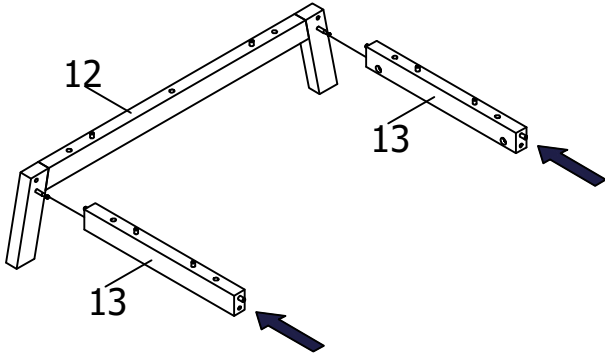
4



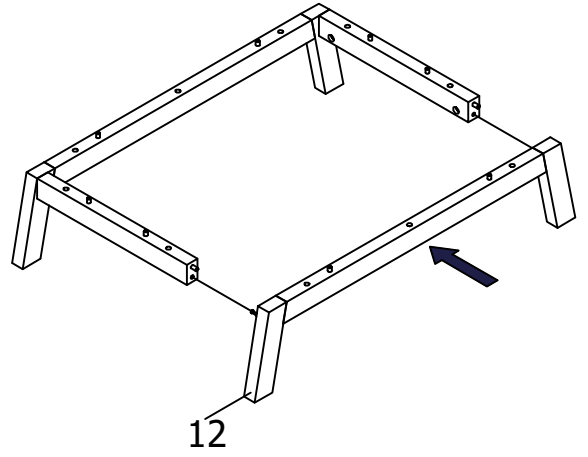
5



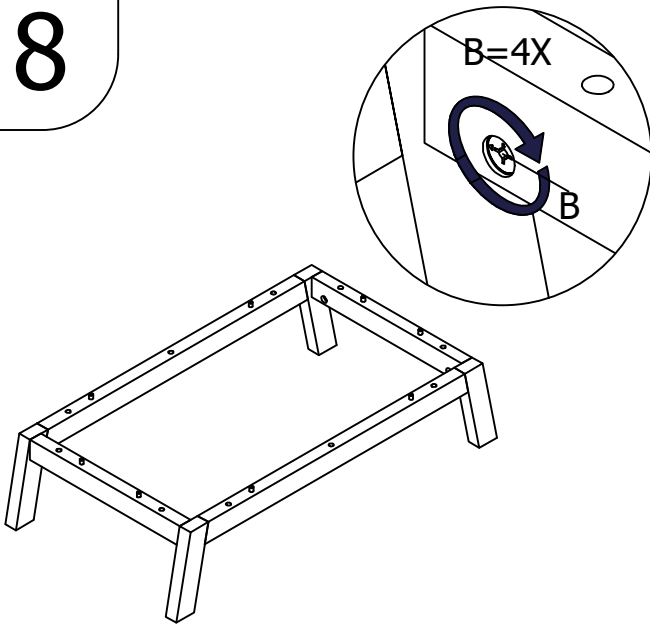
6



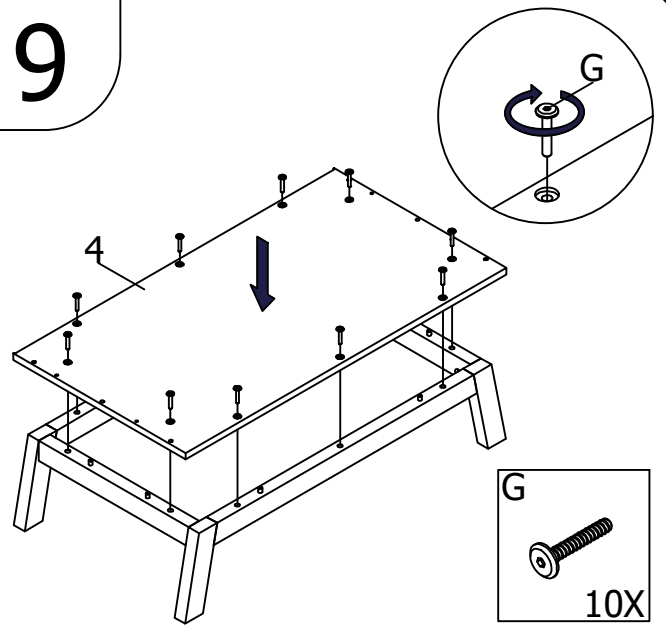
7



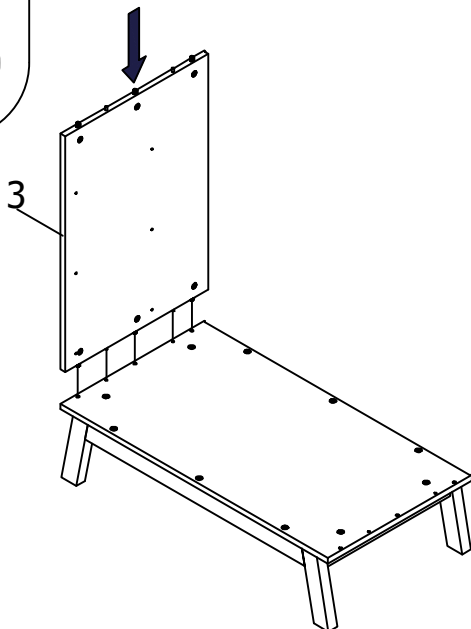
8



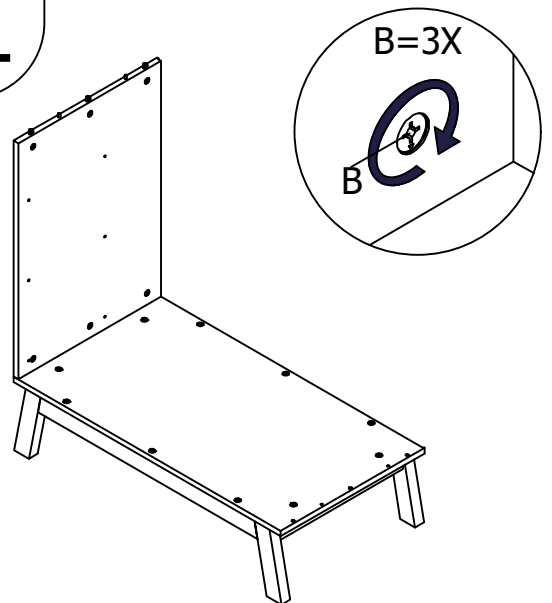
9

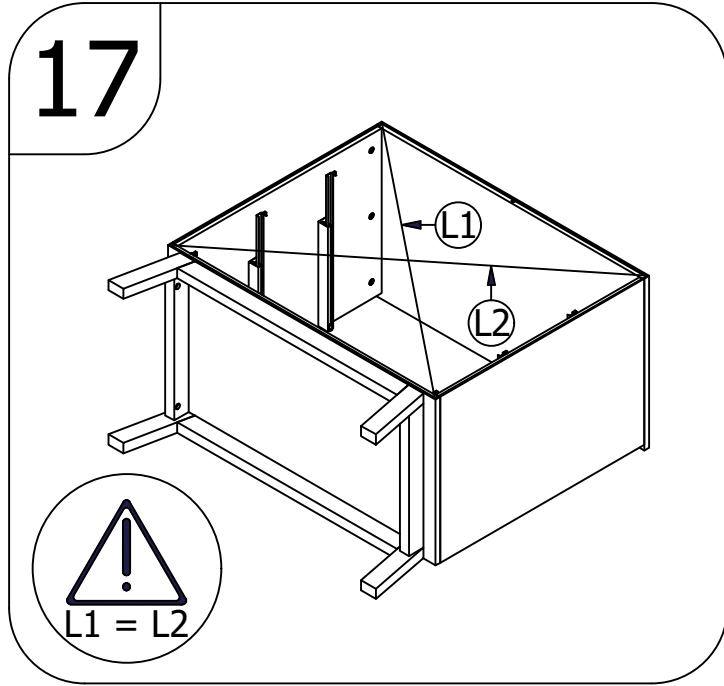
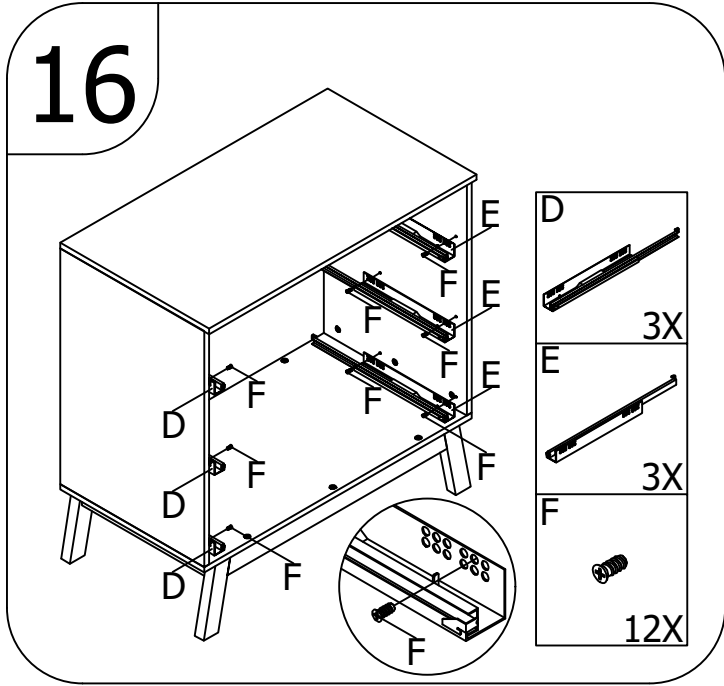
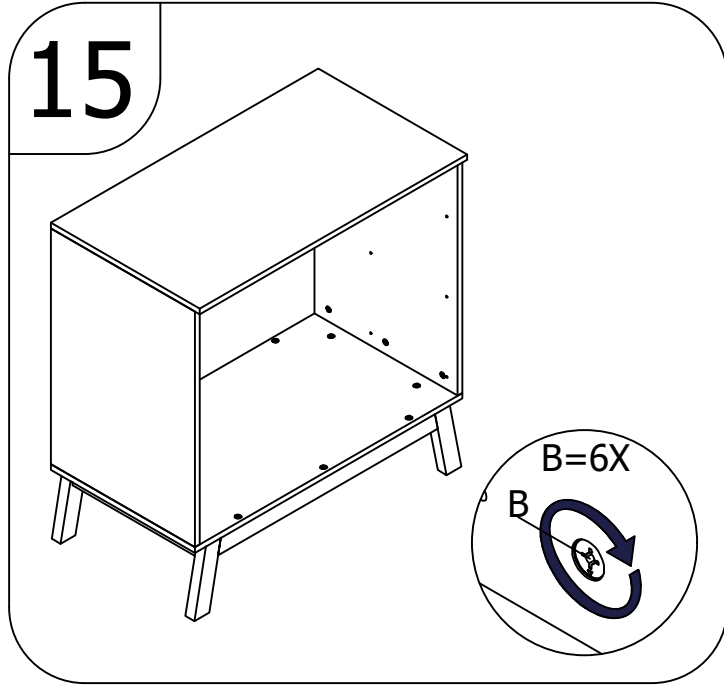
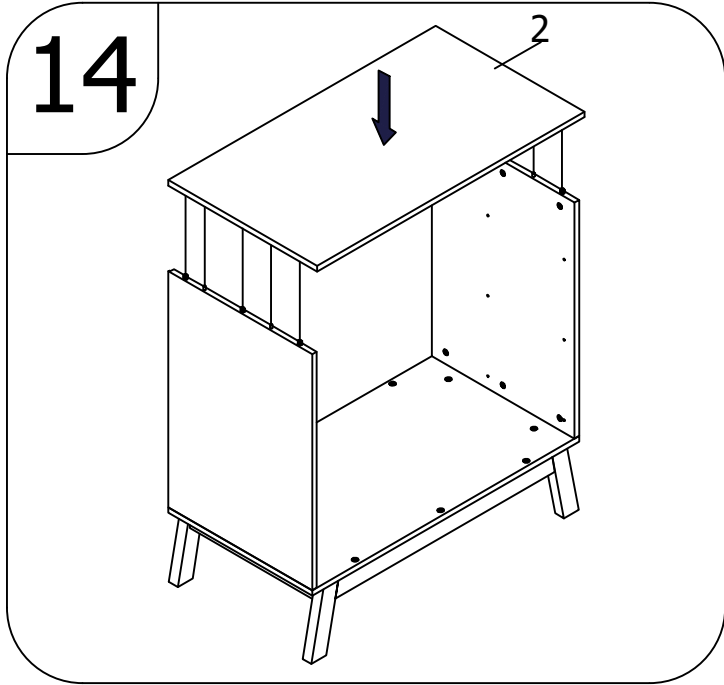
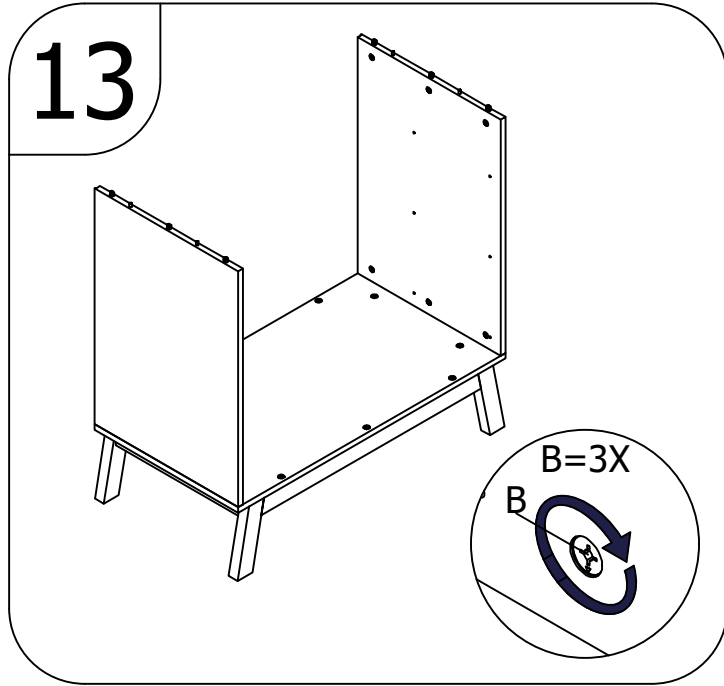
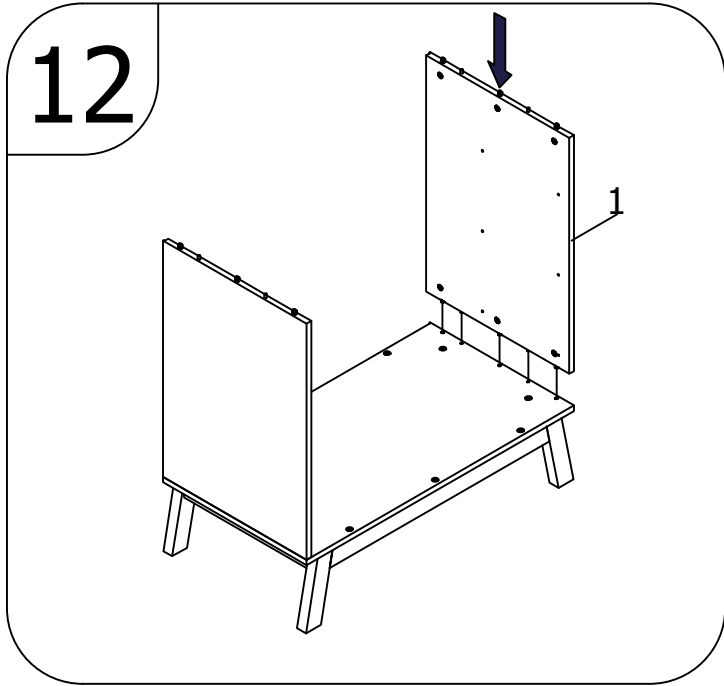


10

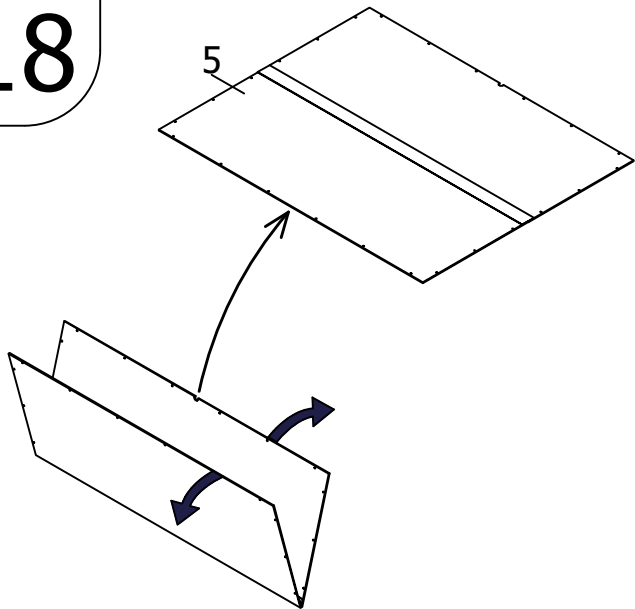


11

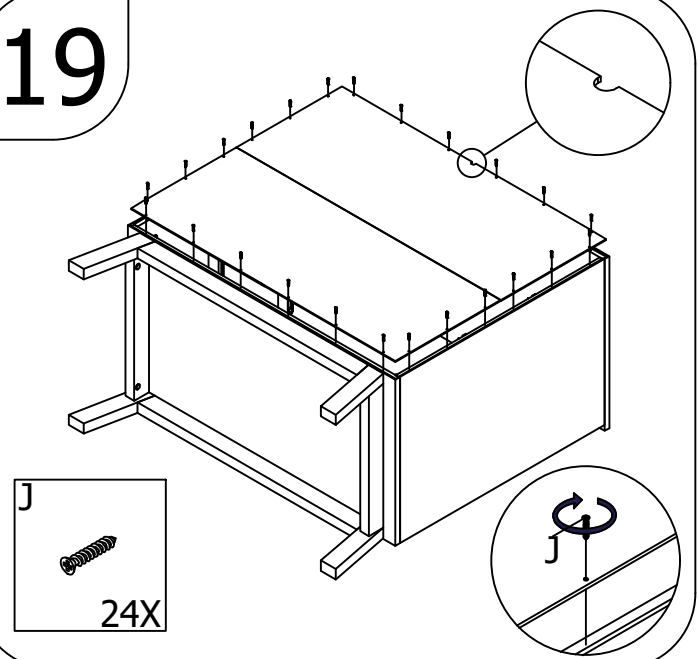




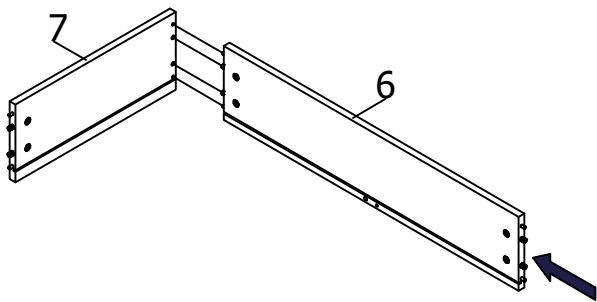
18



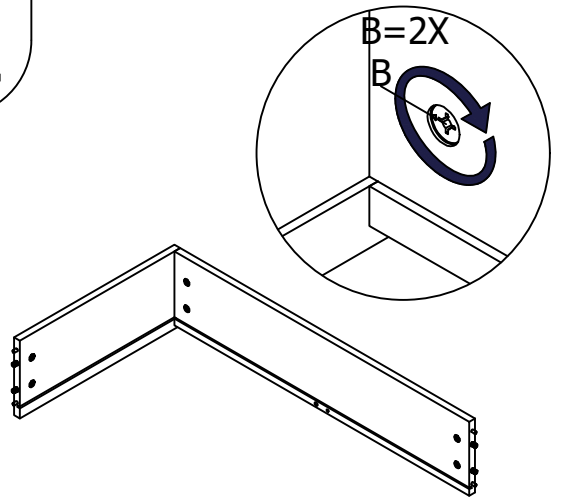
19



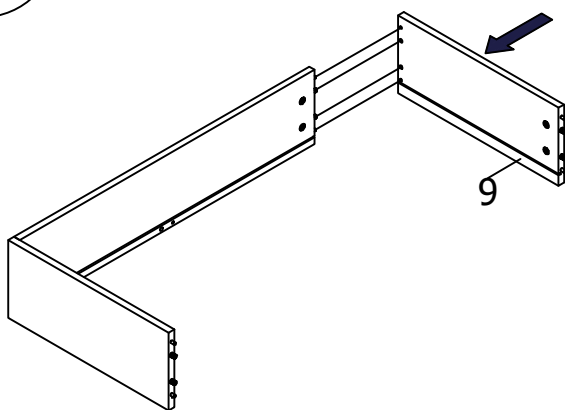
20



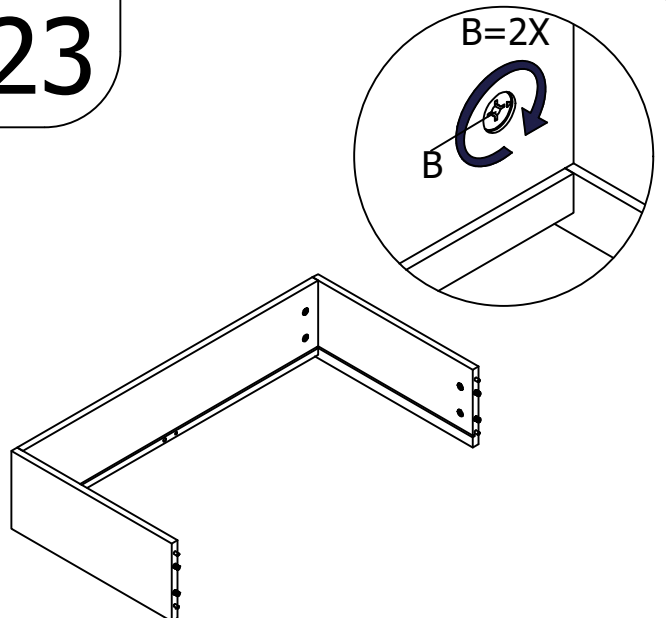
21



22

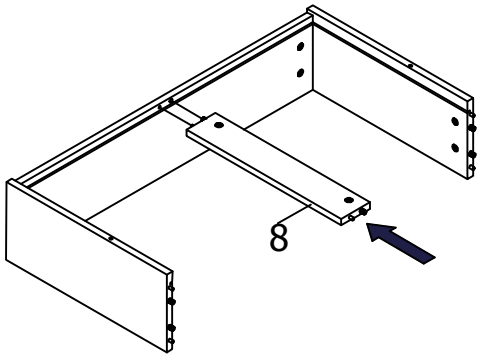


23

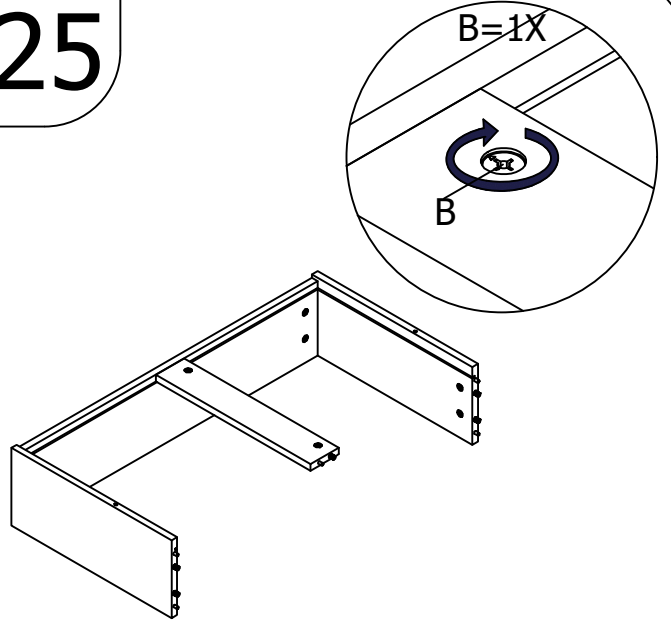




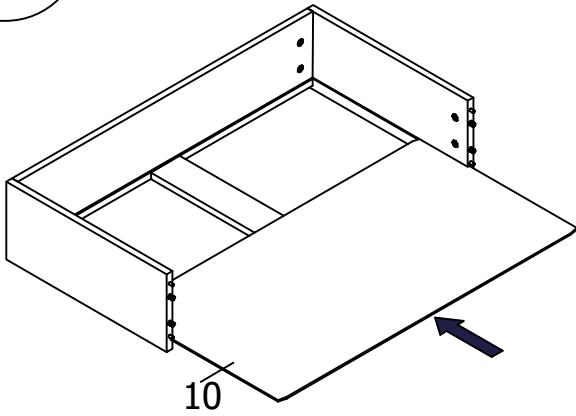
24



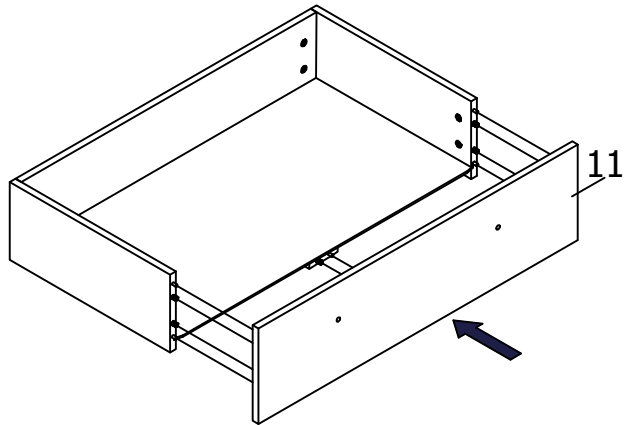
25



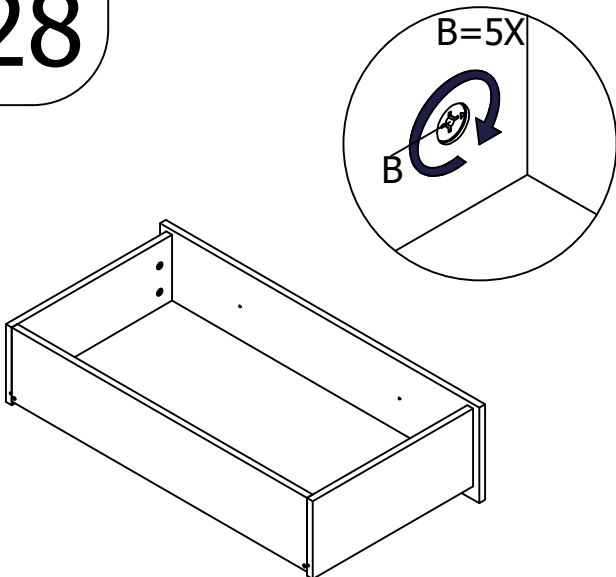
26



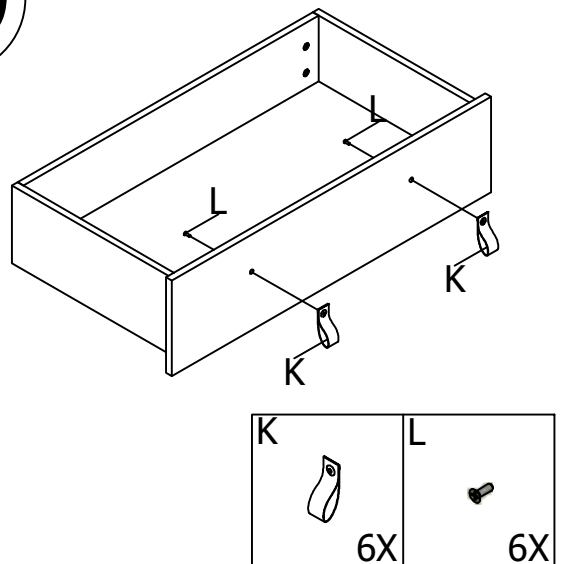
27



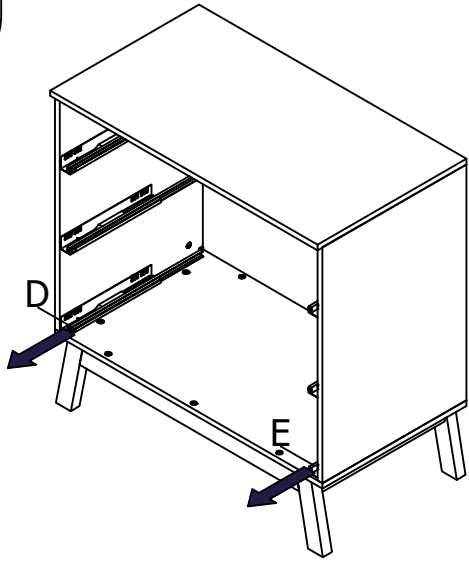
28



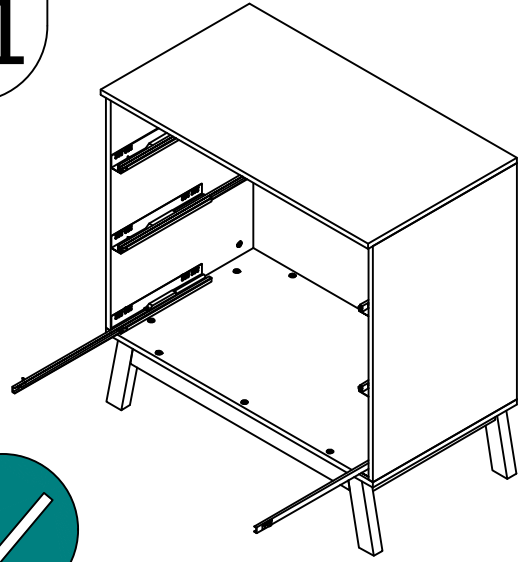
29



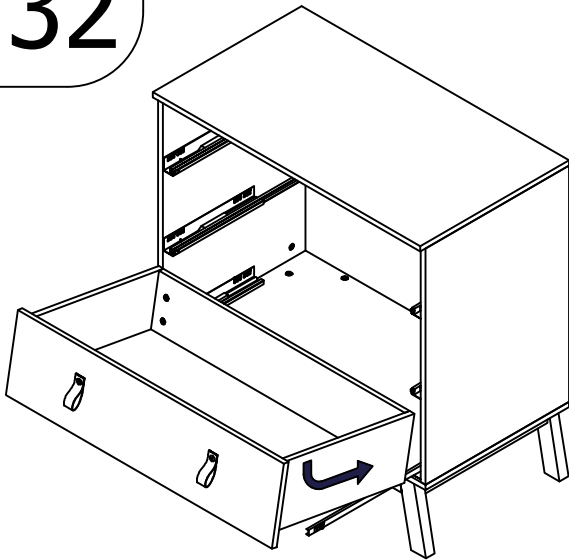
30



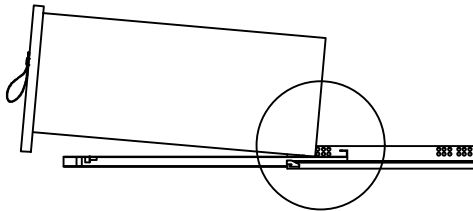
31



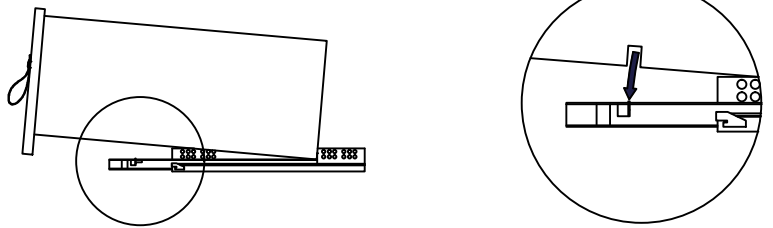
32



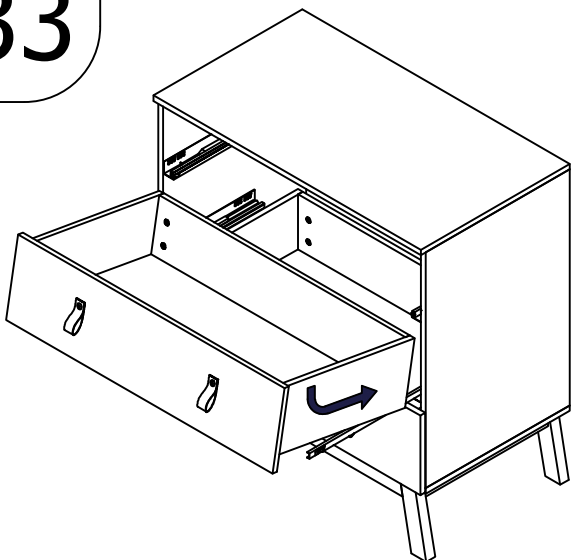
32.1



32.2



33



34

